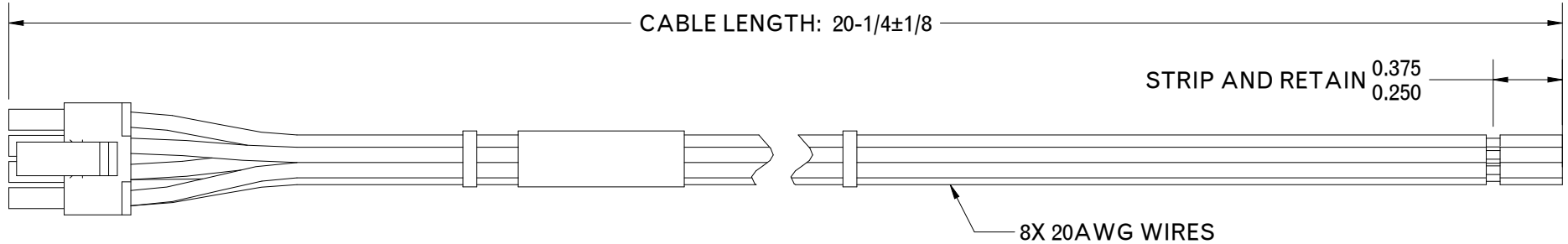
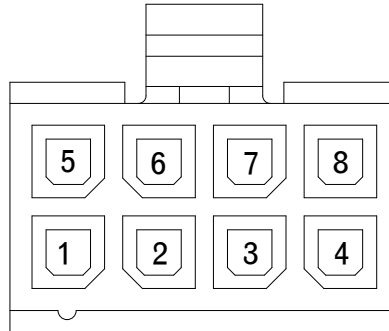


# OUTPUT SIGNAL CABLE:

REVISIONS			
REV	DESCRIPTION	DATE	APPROVED
B	UPDATED LENGTH SPEC PER ECO 21-27418	03/17/21	K.DUBROWN
C	ADDED WIRE GAUGE INFO PER ECO 21-28326	12/07/21	K.DUBROWN

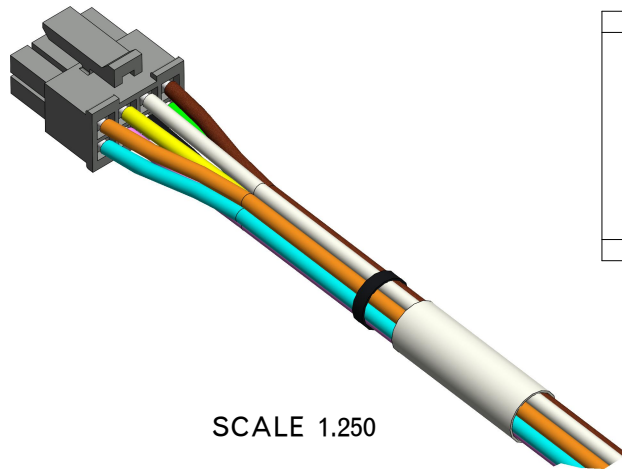


## PIN LAYOUT:



SCALE 4.000

PIN #	WIRE COLOR	DESCRIPTION
1	GREEN	B RS485(-)
2	BROWN	A RS485(+)
3	BLACK W/ WHITE STRIPE	V <sub>OUT</sub> -
4	WHITE	REMOTE ENABLE
5	VIOLET	FAN GOOD
6	YELLOW	AC POWER GOOD
7	LIGHT BLUE	DC POWER GOOD
8	ORANGE	5V STANDBY



### NOTES:

- CABLE KIT INCLUDES:  
ACUQOR OUTPUT SIGNAL CABLE P/N 705-1000012 (SHEET 1)  
ACUQOR OUTPUT POWER CABLE P/N 705-1000014 (SHEET 2)
- DRAWING IS FOR REFERENCE ONLY

### TOLERANCES:

Unless otherwise specified:  
All dimensions in inches  
.XX +/- .01  
.XXX +/- .005  
Angles +/- 1

THIS DRAWING IS THE PROPERTY OF SYNQOR INC. It is not to be reproduced or copied, in whole or in part, or used for furnishing information to others, or for any purpose detrimental to the interests of SynQor. The information shown herein may be protected by patents owned or controlled by SynQor.

**SynQor**

155 Swanson Road  
Boxborough, MA 01719

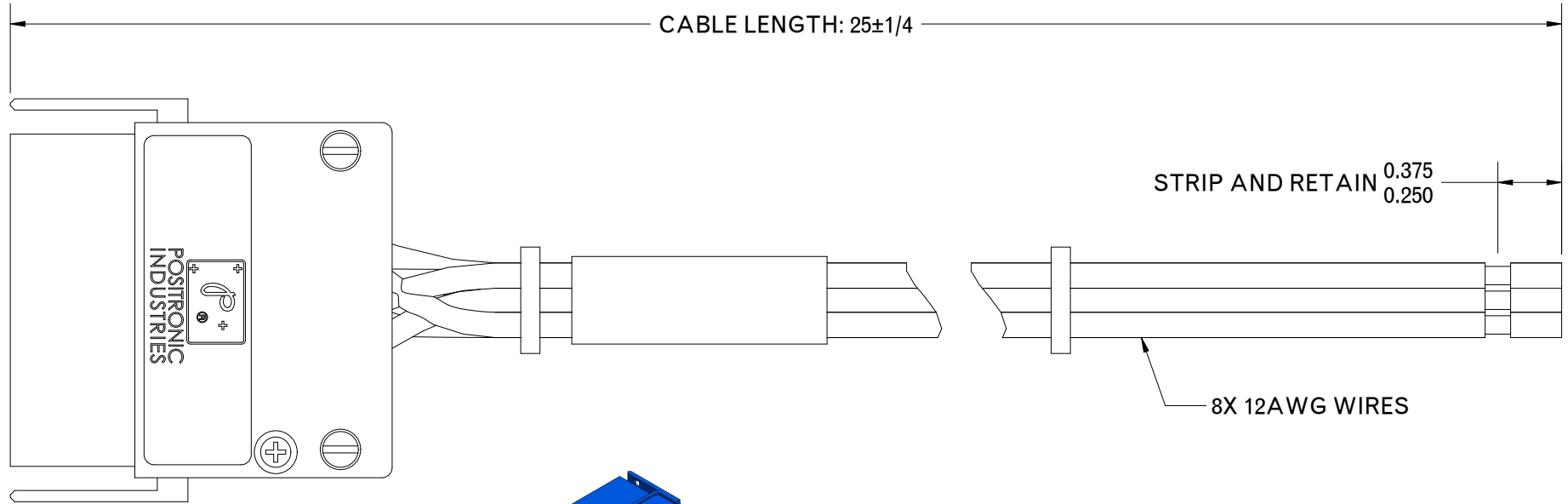
# ACUQOR CABLE KIT

SOURCE: PRO/E 705-1000012

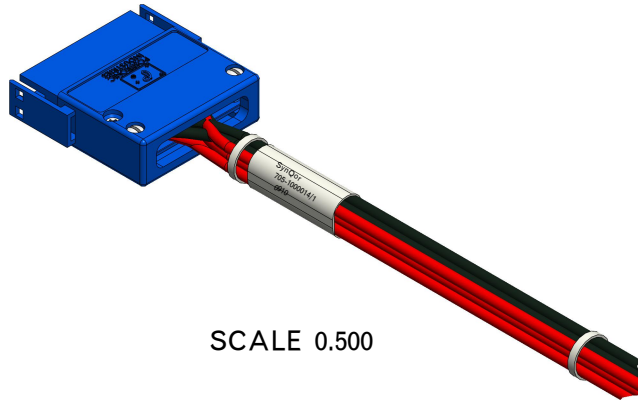
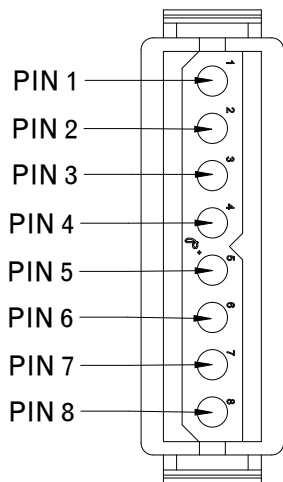
SIZE	DATE	DWG. NO.	REV
A	DEC-07-21	AQ-CBL-OUT1CDG	C

SCALE: 1.375    DRAWN: KJD    CHECK:    SHEET 1 of 2

# OUTPUT POWER CABLE:



PIN LAYOUT



PIN #	WIRE COLOR	DESCRIPTION
1	RED	VOUT (+)
2	BLACK	VOUT (-)
3	RED	VOUT (+)
4	BLACK	VOUT (-)
5	RED	VOUT (+)
6	BLACK	VOUT (-)
7	RED	VOUT (+)
8	BLACK	VOUT (-)

### TOLERANCES:

Unless otherwise specified:  
 All dimensions in inches  
 .XX +/- .01  
 .XXX +/- .005  
 Angles +/- 1

SynQor

155 Swanson Road  
 Boxborough, MA 01719

## ACUQOR CABLE KIT

SOURCE: PRO/E 705-100014

SIZE	DATE	DWG. NO.	REV
A	DEC-07-21	AQ-CBL-OUT1CDG	C

SCALE: 1.250

DRAWN: KJD

CHECK:

SHEET 2 of 2

THIS DRAWING IS THE PROPERTY OF SYNQOR INC.  
 It is not to be reproduced or copied, in whole  
 or in part, or used for furnishing information  
 to others, or for any purpose detrimental to the  
 interests of SynQor. The information shown herein  
 may be protected by patents owned or controlled by SynQor.